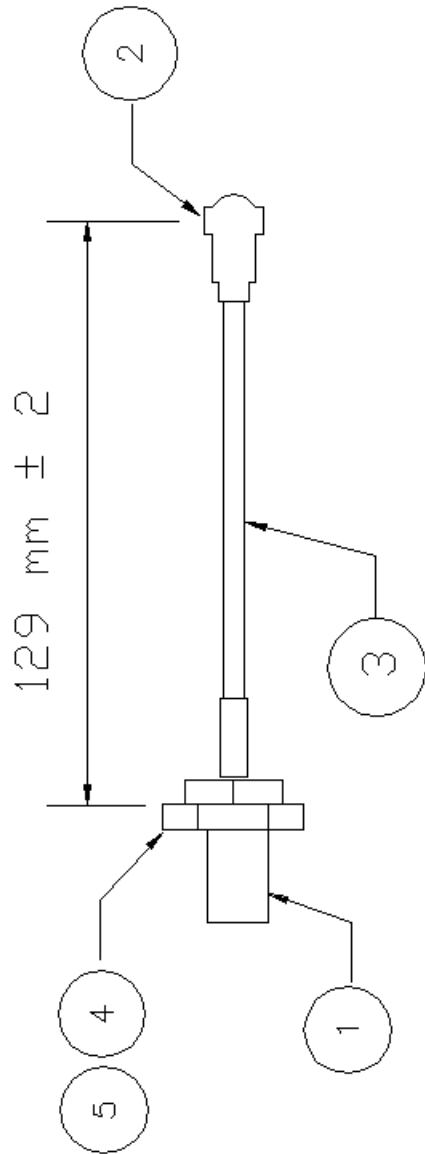


REVISIONS				
ECN	REV	DESCRIPTION	DATE	APPROVED
004178	A	production release	6/18/03	D.C.

Trimble Navigation Limited
Proprietary & Confidential



Parts list				
Item	Description	Part #	Vendor	QTY
1	RF-ST. BH SMA F. CONN.		CHIN NAN	1
2	RF CONNECTOR	H.FL-LP-DFS111	HIROSE	1
3	Cable	0.8DS-PBE or EQ	Sumitomo	1
4	WASHER	See item1 for spec.		1
5	NUT	See item1 for spec.		1

- Note:
- For item 1 specification, reference std 50 Ohm SMA straight Bulkhead Jack Gold Plated, crimp style, and connector should be crimped attachment for item 3.
 - Connector, item 1, should have washer and nut installed.
 - Completed cable assembly w/o SMA conn. from Hirose, part # HRUS-0271-140

UNLESS OTHERWISE SPECIFIED DIMENSIONS ARE IN INCHES FRACTIONS DECIMALS ANGLES .00 .XX ±.01 ±5 XXX ±.004	CONTRACT NO. (CRITICAL DIMENSION For Internal Inspection Only)	
	APPROVALS DRAIN D.C. CHECKED ISSUED	DATE 6/18/03
DIM NOT SCALE DRAWING		Cable, SMA to H.FL
SCALE 2X	DWG NO. 49894-05	REV A
SHEET 1	OF 1	DF 1

