

# *User guide for Emma II*

## **First edition (November 2003)**

**Sony Ericsson Mobile Communications.** publishes this manual without making any warranty as to the content contained herein. Further **Sony Ericsson Mobile Communications.** reserves the right to make modifications, additions and deletions to this manual due to typographical errors, inaccurate information, or improvements to programs and/or equipment at any time and without notice. Such changes will, nevertheless be incorporated into new editions of this manual.

All rights reserved.

© **Sony Ericsson Mobile Communications.**, 2003

## Contents

<b>1</b>	<b>EMMA II SYSTEM DESCRIPTION AND INSTALLATION</b>	<b>4</b>
1.1	HARDLOCK DRIVER INSTALLATION	6
1.2	EMMA II PACKAGE INSTALLATION	6
1.3	SERVICE CARD DRIVER INSTALLATION	7
1.4	SYSTEM ANALYSIS	8
<b>2</b>	<b>DOWNLOADING SOFTWARE</b>	<b>9</b>
2.1	ON LINE PROCEDURE	9
2.2	STAND ALONE DOWNLOADING	10
<b>3</b>	<b>SUPPORT</b>	<b>11</b>
3.1	SERVICE CARD RECHARGING	11
3.2	ONLINE HELP	12
3.2.1	<u>EMMA II Quick Guide</u>	12
3.2.2	<u>EMMA II Reference Manual</u>	12
3.2.3	<u>EMMA II FAQ's</u>	12
3.2.4	<u>EMMA II User Forum</u>	12

## 1 Emma II System description and installation

Emma II is the SonyEricsson web based application for downloading software to a wide range of Modules, PC Cards and Handsets.

A System Overview and basic PC configuration are shown below.

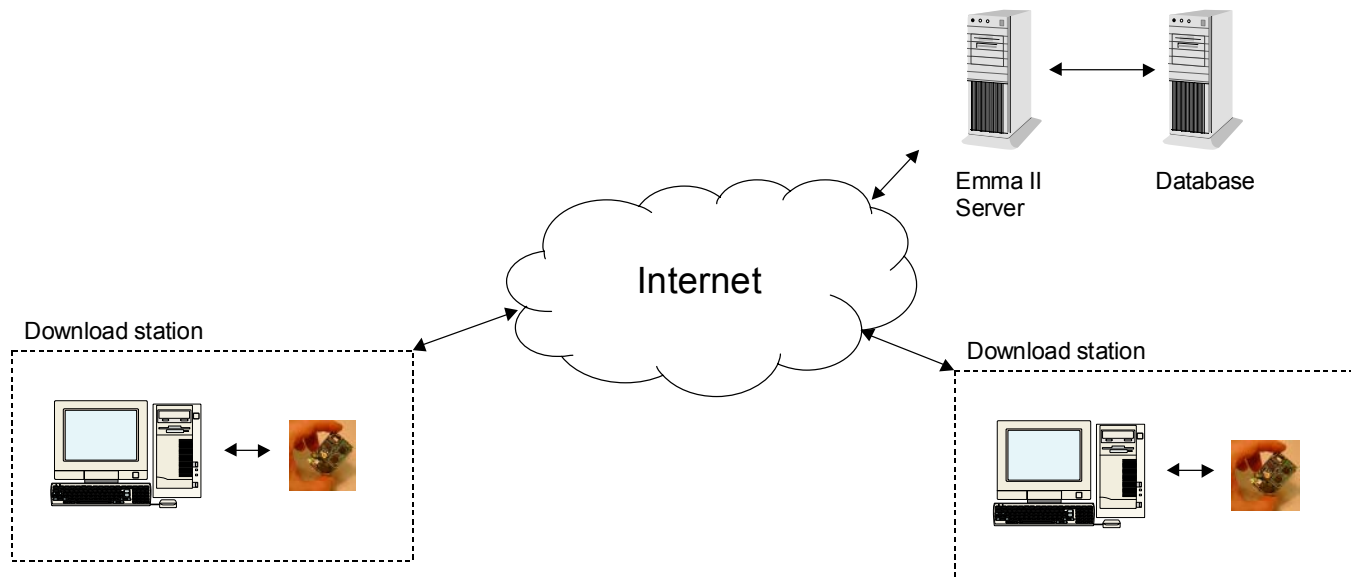


Figure 1.1 Emma II system overview

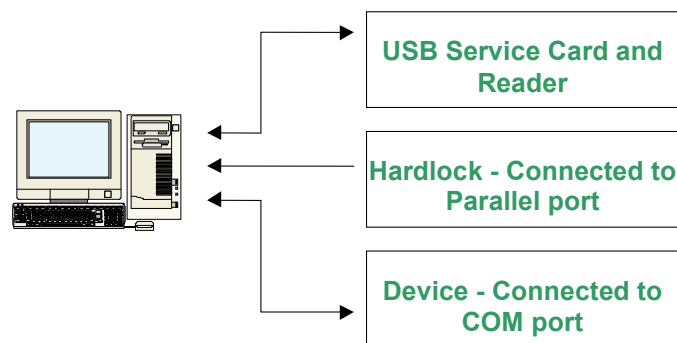


Figure 1.2 Basic PC configuration

Shown below is the EMMA II Server homepage. This can be found at <http://emma.extranet.sonyericsson.com>

All installation work and software upgrading of Emma II is performed via this page.

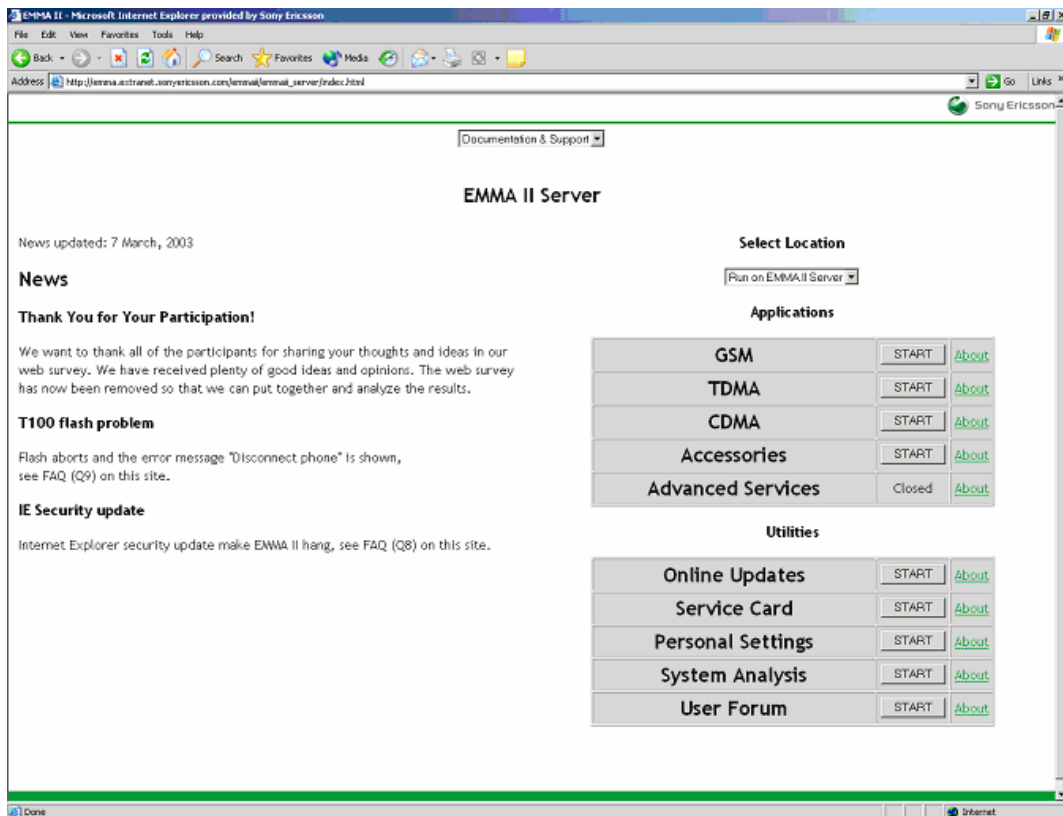


Figure 1.3 EMMA II Server homepage

#### Minimum Hardware requirements for Emma II

- Pentium 90, 32Mbyte RAM
- Windows 95 / 98 / NT4.0 sp3 / 2000 / XP
- USB port (Universal Serial Bus)
- One free serial and parallel port
- 20MB free disk space
- CD-ROM drive
- Internet Explorer 4.01, Netscape 4.7 and later versions of these
- Internet access (for initial access and download of software)
- Valid Hardlock for the requested usage of EMMA II (e.g. Flash)

## **1.1 Hardlock driver installation**

For Emma II installation / operation, an authorised hardlock needs to be attached to the parallel port of the PC as shown in figure 1.2.

To ensure your hardlock is authorised, contact the support team in Basingstoke. (See section 3)

To initialise the installation,

1. Log onto the [EMMA II Server homepage](#). When the page has fully loaded, click on the GSM start button.
2. An installation check will be performed on the system, to ensure that the hardlock drivers are installed. If they are not installed, this will be done before any further entry is allowed.
3. Follow the simple onscreen instructions.
4. Restart your machine when instructed to do so.

## **1.2 Emma II package installation**

Once the hardlock drivers are installed, the EMMA II application can be downloaded and installed.

1. Again goto the [EMMA II Server homepage](#) and click on the GSM start button.
2. An installation check will now detect a hardlock and verify its use and authorisation level. Once this has been performed successfully, the Emma II application installation will be started.
3. Follow the simple onscreen instructions.
4. Restart you machine.

### **1.3 Service card driver installation**

The service card is used to control the number of downloads that are permitted. Each service card has a specific number of downloads it can perform, after which time it needs to be sent back to the support team for 'recharging'. (See section 3)

To perform a download, both the service card and the hardlock need to be connected to the PC as per figure 1.2.

When you receive your service card reader it will come with a CD which contains the software USB driver. (Windows XP already contains a driver for the Service Card.)

**IT IS VERY IMPORTANT THAT THE USB READER IS NOT CONNECTED TO THE PC PRIOR TO THE DRIVER INSTALLATION FROM THE CD.**

To initiate the installation (Non-XP operating Systems)

1. Insert CD-ROM into the PC. (if the CD fails to auto install, run SCR.exe from your CD's root directory)
2. Follow the on screen instructions.
3. When prompted for the driver location, select the CD-ROM drive and the appropriate directory for your operating system.
4. Insert Card reader into the PC's USB port.
5. Follow the on screen instruction.
6. When prompted for the driver location, select the CD-ROM drive and the appropriate directory for your operating system.

## **1.4 System analysis**

It is advisable to perform a system check on your machine at this point.

Go to the [EMMA II Server homepage](#) and click the system analysis button. Emma II will then perform a check on your system, once completed the following information will be displayed.

- EMMA II version number
- Hardlock details
- Service Card details

This system check will verify if all components have been attached and installed correctly. It will also detail how many of the possible downloads the Service Card has already performed.

Make sure that the correct Key Codes are installed on your card (only A00 is required to flash the GM series).

## 2 Downloading software

### 2.1 *ON line Procedure*

Software downloads whilst being connected to the Internet.

1. Ensure that the hardlock and service card are connected correctly to the PC as per figure 1.2.
2. Go to the [EMMA II Server homepage](#) and click on the GSM Start button.
3. After the initialisation and authorisation process the screen below (figure 2.1) will be displayed.

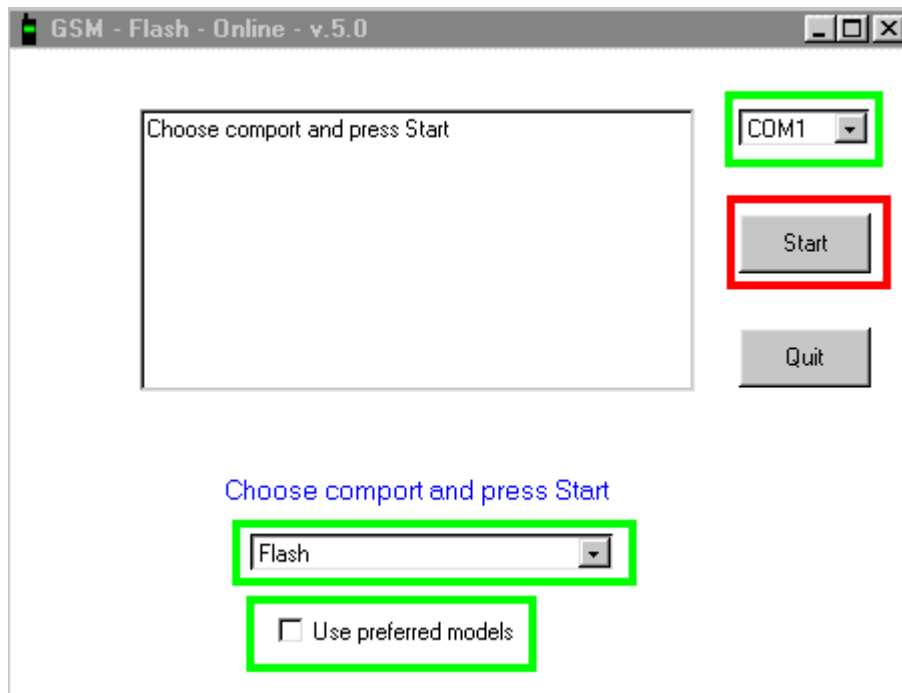


Figure 2.1 Software download screen

4. Once the unit has been powered on it will ask for the PIN number of the service card, this can be found on the accompanying letter.
5. From the drop down boxes select the desired COM port, the memory type to download to (downloading signalling software uses Flash) and then press the start button.

***Note! It is strongly recommended that software is only taken forward in versions numbers i.e. going from R1A007 to R1A008. Any attempt to load an old version of software could result in the GSM device becoming inoperable and will not be covered by the warranty.***

Once completed, the package will return to this screen (Figure 2.1). Further devices can now be upgraded, either online or as stand alone.

## **2.2 Stand alone downloading**

Once a software download has been completed online, it is possible to run the EMMA II application on the PC in “stand-alone mode”.

Start Emma II by selecting it from the start-up menu. When the top level screen is displayed, instead of selecting “Run on Emma II Server”, make sure that “Run on local PC” is selected.

This will allow you to select previously downloaded software.

### 3 Support

If any problems are experienced whilst installing, configuring or using the Emma II package, the support team can be contacted through the following E-mail address.

**[modules.support@sonyericsson.com](mailto:modules.support@sonyericsson.com)**

#### **3.1 Service card Recharging**

To have your service card 'recharged', it should be sent, by prior arrangement only, to the following address: -

Customer Support  
**Sony Ericsson Mobile Communications (UK) Ltd**  
M2MCom  
1 Lakeside Road  
Systems Union House  
Aerospace Park  
Farnborough  
Hampshire  
UK  
GU14 6XP

## 3.2 **ONLINE help**

### 3.2.1 EMMA II Quick Guide

This is a visual guide to aid in the installation of the EMMA II application.

This can be found in the drop down list at the [EMMA II Server homepage](#) or from [http://emma.extranet.sonyericsson.com/emmai/emmai\\_server/doc/manuals/index.html](http://emma.extranet.sonyericsson.com/emmai/emmai_server/doc/manuals/index.html)

### 3.2.2 EMMA II Reference Manual

This is a comprehensive guide to all aspects of the EMMA II application.

This can be found in the drop down list at the [EMMA II Server homepage](#) or from [http://emma.extranet.sonyericsson.com/emmai/emmai\\_server/doc/manuals/index.html](http://emma.extranet.sonyericsson.com/emmai/emmai_server/doc/manuals/index.html)

### 3.2.3 EMMA II FAQ's

This is a visual guide to aid in the installation of the EMMA II application.

This can be found in the drop down list at the [EMMA II Server homepage](#) or from [http://emma.extranet.sonyericsson.com/emmai/emmai\\_server/doc/faq.html](http://emma.extranet.sonyericsson.com/emmai/emmai_server/doc/faq.html)

### 3.2.4 EMMA II User Forum

This is where you can exchange ideas and share your knowledge about EMMA II with other users.

This can be found on the [EMMA II Server homepage](#) <http://emma.extranet.sonyericsson.com>

**Note! You need to have a valid Service Card in order to use the User Forum.**